

CWDM Multiplexer Dual & Single Fiber

CWDM Multiplexer Chassis

Chassis-19-LG4
19"-chassis (1 RU), supports up to 4 LG4 9.5"-1/2U Modules
440 x 44 x 270 mm



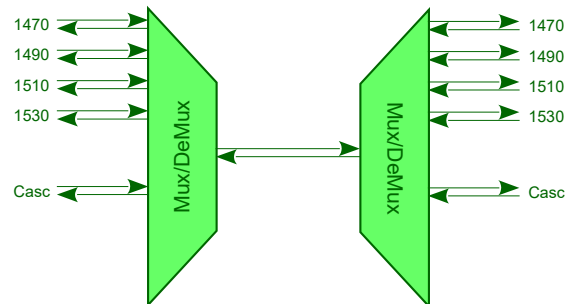
Chassis

Up to 4 Modules

CWDM Multiplexer Dual Fiber Modules

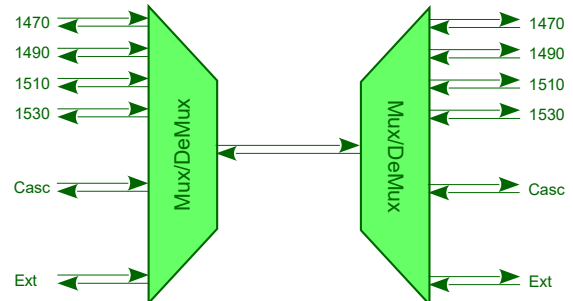
C-04C00-MD0-D-1114-LG4-LCLC-L

- CWDM
- 4 ch + cascading
- LGX 9.5"-1/2U Module
- Mux/DeMux pair
- Dual Fiber
- 4 ch. 1470...1530 nm
- Cascading : rest (1550...1610 nm)
- Com port: LC/PC
- Ch port: LC/PC
- IL 2.0 dB, pair 3.0 dB
- ISO Adjacent ≥ 30 dB, Non-adjacent ≥ 40 dB
- operating temp -40...+75 °C



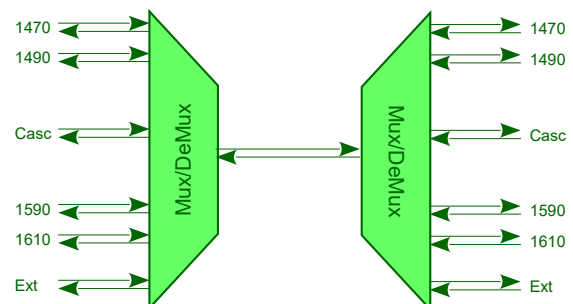
C-04CE0-MD0-D-1114-LG4-LCLC-L

- CWDM
- 4 ch + cascading + ext
- LGX 9.5"-1/2U Module
- Mux/DeMux pair
- Dual Fiber
- 4 ch. 1470...1530 nm
- Cascading : rest (1550...1610 nm)
- Extension 1260...1458 nm
- Com port: LC/PC
- Ch port: LC/PC
- IL 2.0 dB, pair 3.0 dB
- ISO Adjacent ≥ 30 dB, Non-adjacent ≥ 40 dB
- Extension Port IL 0.8 dB, pair 1.6 dB
- ISO >15dB dB
- operating temp -40...+75 °C



C-04CE0-MD0-D-1118-LG4-LCLC-L

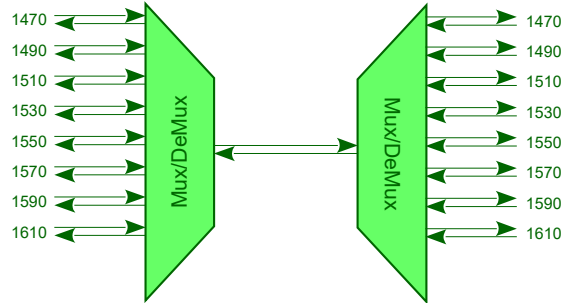
- CWDM
- 4 ch + cascading + ext
- LGX 9.5"-1/2U Module
- Mux/DeMux pair
- Dual Fiber
- 4 ch. 1470, 1490, 1590, 1610 nm
- Cascading : rest (1510...1570 nm)
- Extension 1260...1458 nm
- Com port: LC/PC
- Ch port: LC/PC
- IL 2.0 dB, pair 3.0 dB
- ISO Adjacent ≥ 30 dB, Non-adjacent ≥ 40 dB
- Extension Port IL 0.8 dB, pair 1.6 dB
- ISO >15dB dB
- operating temp -40...+75 °C



CWDM Multiplexer Dual Fiber Modules

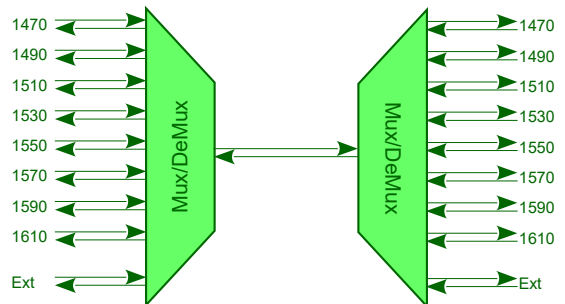
C-08000-MD0-D-1118-LG4-LCLC-L

- CWDM
- 8 ch
- LGX 9.5"-1/2U Module
- Mux/DeMux pair
- Dual Fiber
- 8 ch. 1470...1610 nm
- Com port: LC/PC
- Ch port: LC/PC
- IL 2.5 dB, pair 3.5 dB
- ISO Adjacent ≥ 30 dB, Non-adjacent ≥ 40 dB
- operating temp -40...+75 °C



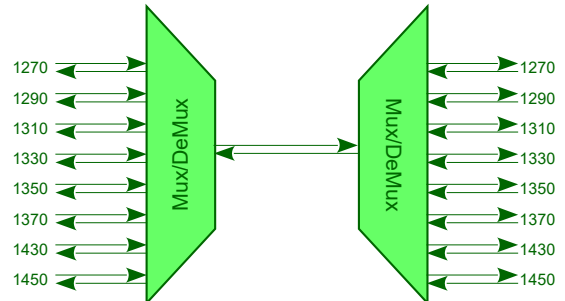
C-080E0-MD0-D-1118-LG4-LCLC-L

- CWDM
- 8 ch + ext
- LGX 9.5"-1/2U Module
- Mux/DeMux pair
- Dual Fiber
- 8 ch. 1470...1610 nm
- Extension 1260...1458 nm
- Com port: LC/PC
- Ch port: LC/PC
- IL 3.0 dB, pair 4.0 dB
- ISO Adjacent ≥ 30 dB, Non-adjacent ≥ 40 dB
- Extension Port IL 0.8 dB, pair 1.6 dB
- ISO > 15 dB
- operating temp -40...+75 °C



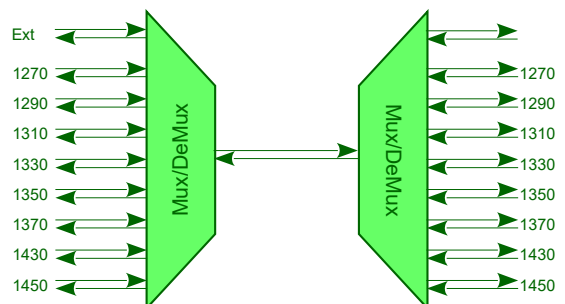
C-08000-MD0-D-0110-LG4-LCLC-L

- CWDM
- 8 ch
- LGX 9.5"-1/2U Module
- Mux/DeMux pair
- Dual Fiber
- 8 ch. 1270...1450 nm (without 1390 and 1410 nm)
- Com port: LC/PC
- Ch port: LC/PC
- IL 2.5 dB, pair 3.5 dB
- ISO Adjacent ≥ 30 dB, Non-adjacent ≥ 40 dB
- operating temp -40...+75 °C



C-080E0-MD0-D-0110-LG4-LCLC-L

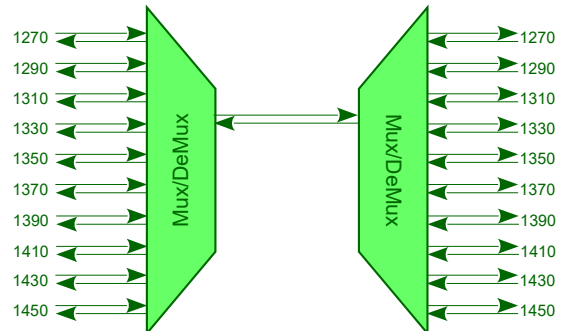
- CWDM
- 8 ch + ext
- LGX 9.5"-1/2U Module
- Mux/DeMux pair
- Dual Fiber
- 8 ch. 1270...1450 nm (without 1390 and 1410 nm)
- Extension (Filter) 1464...1620 nm
- Com port: LC/PC
- Ch port: LC/PC
- IL 2.7 dB, pair 3.7 dB
- ISO Adjacent ≥ 30 dB, Non-adjacent ≥ 40 dB
- Extension Port IL 1.3 dB, pair 2.6 dB
- ISO > 30 dB
- operating temp -40...+75 °C



CWDM Multiplexer Dual Fiber Modules

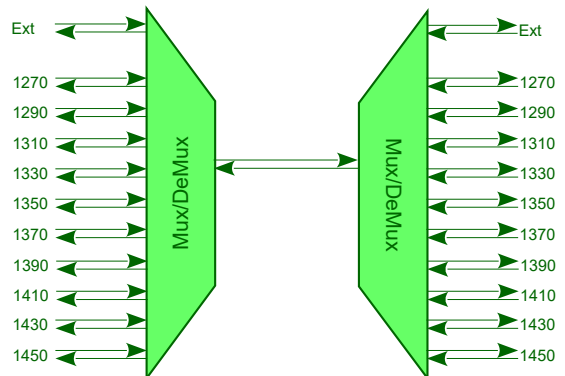
C-10000-MD0-D-0110-LG4-LCLC-L

- CWDM
- 10 ch
- LGX 9.5"-1/2U Module
- Mux/DeMux pair
- Dual Fiber
- 10 ch. 1270...1450 nm
- Com port: LC/PC
- Ch port: LC/PC
- IL 3.0 dB, pair 4.0 dB
- ISO Adjacent ≥ 30 dB, Non-adjacent ≥ 40 dB
- operating temp -20...+75 °C



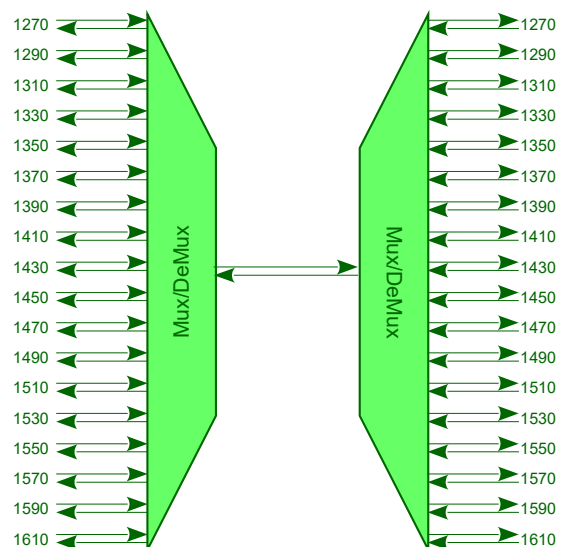
C-100E0-MD0-D-0110-LG4-LCLC-L

- CWDM
- 10 ch + ext
- LGX 9.5"-1/2U Module
- Mux/DeMux pair
- Dual Fiber
- 10 ch. 1270...1450 nm
- Extension (Filter) 1464...1620 nm
- Com port: LC/PC
- Ch port: LC/PC
- IL 3.2 dB, pair 4.2 dB
- ISO Adjacent ≥ 30 dB, Non-adjacent ≥ 40 dB
- Extension Port IL 1.3 dB, pair 2.6 dB
- ISO > 30 dB
- operating temp -40...+75 °C



C-18000-MD0-D-0118-190-LCLC-L

- 18 ch
- 19" Module
- Mux/DeMux pair
- Dual Fiber
- 18 ch. 1270...1610 nm
- Com port: LC/PC
- Ch port: LC/PC
- IL 3.5 dB, pair 4.5 dB
- ISO Adjacent ≥ 30 dB, Non-adjacent ≥ 40 dB
- operating temp -40...+75 °C

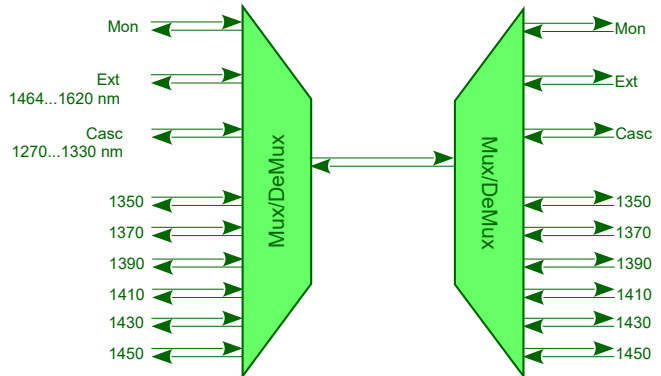


CWDM Multiplexer Dual Fiber Modules

C-06CE1-MD0-D-0510-LG4-LCLC-L

CWDM

- 6 ch + casc + ext + mon
- LGX 9.5"-1/2U Module
- Mux/DeMux pair
- Dual Fiber
- 6 ch. 1350...1450
- Cascading : rest (1270...1330 nm with filter 1260...1360 nm)
- Extension (Filter) 1464...1620 nm
- Monitoring (2 % on both com ports)
- Com port: LC/PC
- Ch port: LC/PC
- IL 3.0 dB, pair 4.0 dB
- ISO Adjacent ≥ 30 dB, Non-adjacent ≥ 40 dB
- Cascading Port IL 3.0 dB, pair 6.0 dB
- Extension Port IL 1.3 dB, pair 2.6 dB
- ISO > 30 dB
- operating temp $-20...+75$ °C

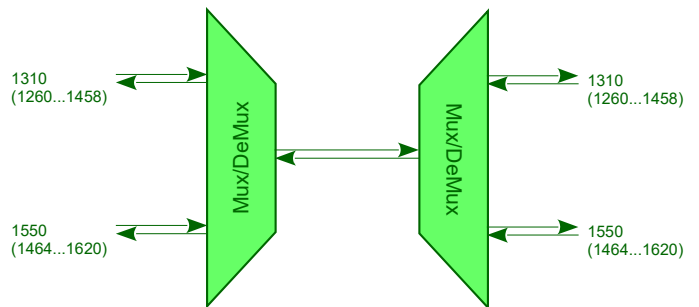


CWDM 1310/1550 Dual Fiber Modules

C-02000-MD0-D-31WB-LG4-LCLC-L

CWDM

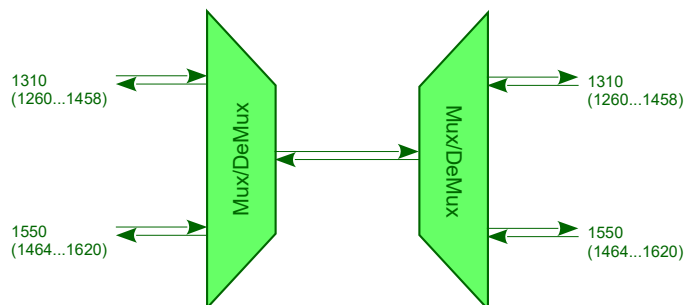
- 2 ch Red/Blue Filter
- LGX 9.5"-1/2U Module
- Mux/DeMux pair
- Dual Fiber
- ch1 1310 nm (1260...1458 nm)
- ch2 1550 nm (1464...1620 nm)
- Com port: LC/PC
- Ch port: LC/PC
- IL ch1 1310 nm (1260...1458 nm) 1.0 dB, pair 2.0 dB
- ISO > 30 dB
- IL ch2 1550 nm (1464...1620 nm) 0.6 dB, pair 1.2 dB
- ISO > 15 dB
- operating temp $-20...+75$ °C



C-02000-MD0-D-55WB-LG4-LCLC-L

CWDM

- 2 ch Red/Blue Filter
- LGX 9.5"-1/2U Module
- Mux/DeMux pair
- Dual Fiber
- ch1 1310 nm (1260...1458 nm)
- ch2 1550 nm (1464...1620 nm)
- Com port: LC/PC
- Ch port: LC/PC
- IL ch1 1310 nm (1260...1458 nm) 0.6 dB, pair 1.2 dB
- ISO > 15 dB
- IL ch2 1550 nm (1464...1620 nm) 1.0 dB, pair 2.0 dB
- ISO > 30 dB
- operating temp $-20...+75$ °C

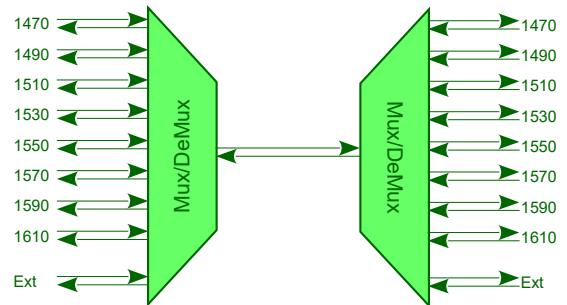


CWDM Multiplexer Dual Fiber Modules Ultra Low Loss

C-080E0-MD0-D-1118-LG4-LCLC-U

CWDM

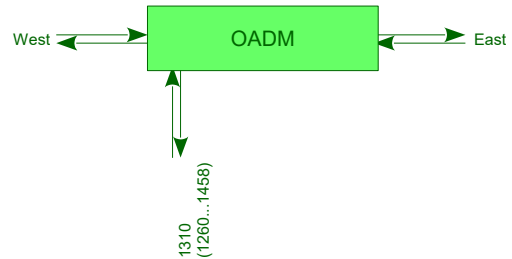
- 8 ch + ext
- LGX 9.5"-1/2U Module
- Mux/DeMux pair
- Dual Fiber
- 8 ch. 1470...1610 nm
- Extension 1260...1458 nm
- Com port: LC/PC
- Ch port: LC/PC
- IL 1.4 dB, pair 2.8 dB
- ISO Adjacent ≥ 30 dB, Non-adjacent ≥ 40 dB
- Extension Port IL 1.4 dB, pair 2.8 dB
- ISO > 15 dB
- operating temp $-20 \dots +75$ °C



CWDM 1310/1550 Dual Fiber Modules

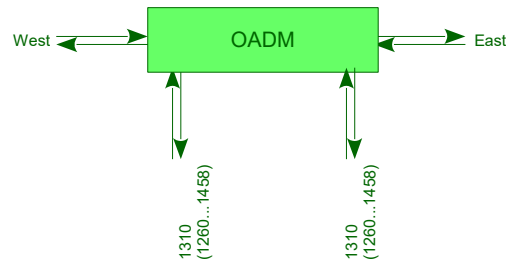
C-01000-OE0-D-31WB-LG4-LCLC-L

CWDM Red/Blue Filter
 - 1 ch
 - LGX 9.5"-1/2U Module
 - OADM East
 - Dual Fiber
 - 1310 nm (1260...1458 nm)
 - Com port: LC/PC
 - Ch port: LC/PC
 IL Add/Drop (1260...1458 nm) 1.0 dB
 ISO >30 dB
 IL Express port (1464...1620 nm) 0.6 dB
 ISO >15 dB
 operating temp -20...+75 °C



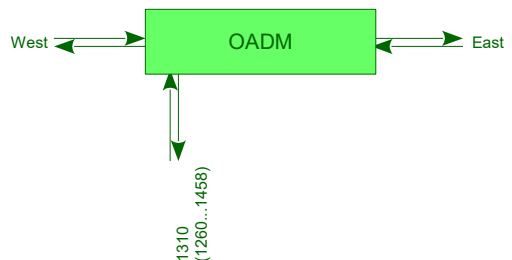
C-01000-OEW-D-31WB-LG4-LCLC-L

CWDM Red/Blue Filter
 - 1 ch
 - LGX 9.5"-1/2U Module
 - OADM East West
 - Dual Fiber
 - 1310 nm (1260...1458 nm)
 - Com port: LC/PC
 - Ch port: LC/PC
 IL Add/Drop (1260...1458 nm) 1.0 dB
 ISO >30 dB
 IL Express port (1464...1620 nm) 0.9 dB
 ISO >15 dB
 operating temp -20...+75 °C



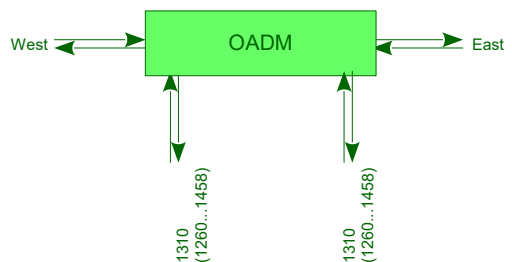
C-01000-OE0-D-55WB-LG4-LCLC-L

CWDM Red/Blue Filter
 - 1 ch
 - LGX 9.5"-1/2U Module
 - OADM East West
 - Dual Fiber
 - 1310 nm (1260...1458 nm)
 - Com port: LC/PC
 - Ch port: LC/PC
 IL Add/Drop (1260...1458 nm) 0.6 dB
 ISO >15 dB
 IL Express port (1464...1620 nm) 1.7 dB
 ISO >30 dB
 operating temp -20...+75 °C



C-01000-OEW-D-55WB-LG4-LCLC-L

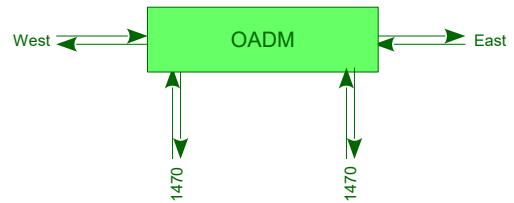
CWDM Red/Blue Filter
 - 1 ch
 - LGX 9.5"-1/2U Module
 - OADM East West
 - Dual Fiber
 - 1310 nm (1260...1458 nm)
 - Com port: LC/PC
 - Ch port: LC/PC
 IL Add/Drop (1260...1458 nm) 0.6 dB
 ISO >30 dB
 IL Express port (1464...1620 nm) 1.7 dB
 ISO >15 dB
 operating temp -20...+75 °C



CWDM OADM Dual Fiber Modules

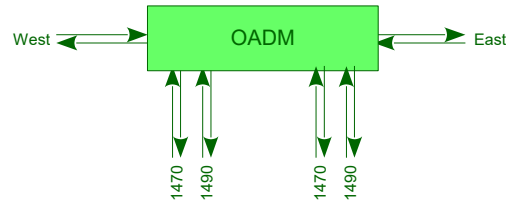
C-01000-OEW-D-1111-LG4-LCLC-L

- 1 ch
- LGX 9.5"-1/2U Module
- OADM East West
- Dual Fiber
- 1470 nm
- Com port: LC/PC
- Ch port: LC/PC
- IL Add/Drop 1.2 dB
- ISO >30 dB
- Express port IL 0.8 dB
- operating temp -40...+75 °C



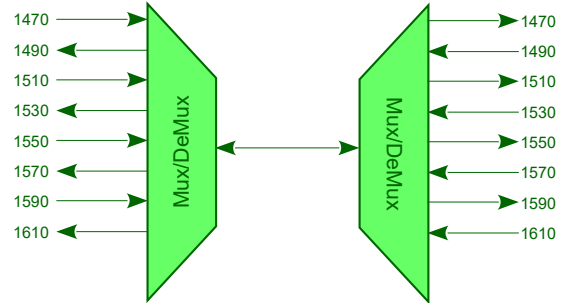
C-02000-OEW-D-1112-LG4-LCLC-L

- 2 ch
- LGX 9.5"-1/2U Module
- OADM East West
- Dual Fiber
- 1470, 1490 nm
- Com port: LC/PC
- Ch port: LC/PC
- IL Add/Drop 1.5 dB
- ISO >30 dB
- Express port IL 1.5 dB
- operating temp -40...+75 °C

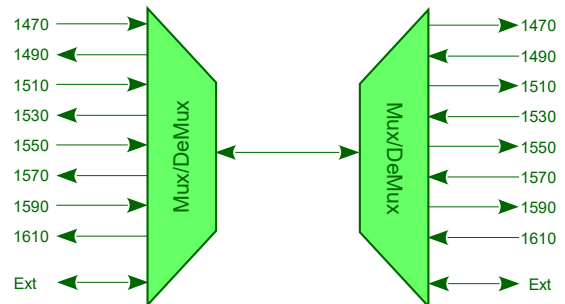


CWDM Multiplexer Single Fiber Modules

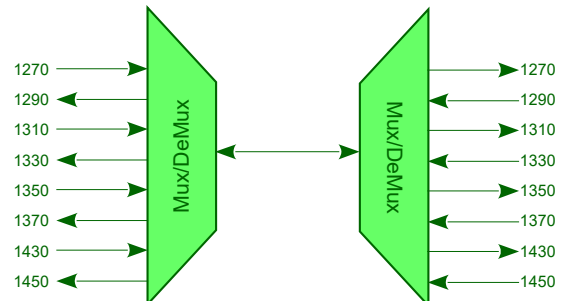
C-08000-M00-S-1118-LG4-LCLC-L (A)
C-08000-D00-S-1118-LG4-LCLC-L (B)
 - 8 ch
 - LGX 9.5"-1/2U Module
 - Mux/DeMux
 - Single Fiber
 - 8 ch. 1470...1610 nm
 - Com port: LC/PC
 - Ch port: LC/PC
 IL 2.5 dB, pair 3.5 dB
 ISO Adjacent ≥ 30 dB. Non-adjacent ≥ 40 dB dB
 operating temp -40...+75 °C



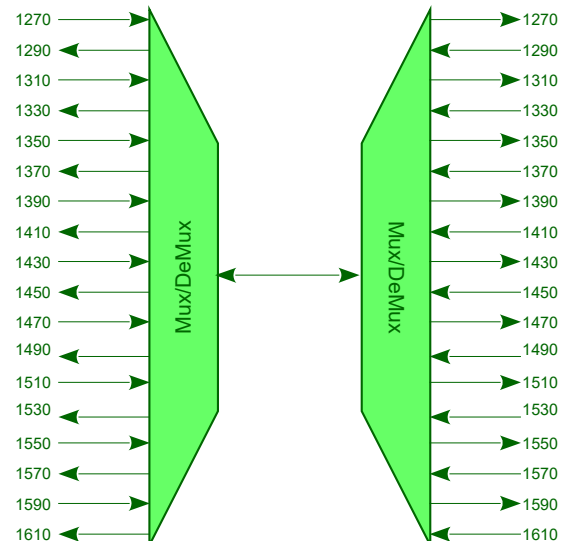
C-080E0-M00-S-1118-LG4-LCLC-L (A)
C-080E0-D00-S-1118-LG4-LCLC-L (B)
 - 8 ch + ext
 - LGX 9.5"-1/2U Module
 - Mux/DeMux
 - Single Fiber
 - 8 ch. 1470...1610 nm
 - Extension 1260...1458 nm
 - Com port: LC/PC
 - Ch port: LC/PC
 IL 3.0 dB, pair 3.5 dB
 ISO Adjacent ≥ 30 dB. Non-adjacent ≥ 40 dB dB
 Extension Port IL 0.8 dB, pair 1.6 dB
 ISO >15 dB
 operating temp -40...+75 °C



C-08000-M00-S-0110-LG4-LCLC-L (A)
C-08000-D00-S-0110-LG4-LCLC-L (B)
 - 8 ch
 - LGX 9.5"-1/2U Module
 - Mux/DeMux
 - Single Fiber
 - 8 ch. 1270...1450 nm (without 1390 and 1410 nm)
 - Com port: LC/PC
 - Ch port: LC/PC
 IL 2.5 dB, pair 3.5 dB
 ISO Adjacent ≥ 30 dB. Non-adjacent ≥ 40 dB dB
 operating temp -40...+75 °C



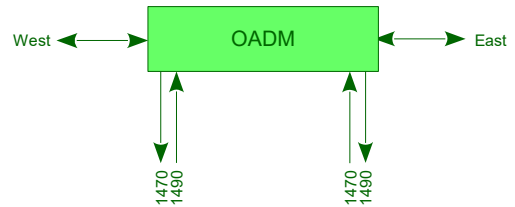
C-18000-M00-S-0118-LG4-LCLC-L (A)
C-18000-D00-S-0118-LG4-LCLC-L (B)
 - 18 ch
 - LGX 9.5"-1/2U Module
 - Mux/DeMux
 - Single Fiber
 - 18 ch. 1270...1610 nm
 - Com port: LC/PC
 - Ch port: LC/PC
 IL 3.5 dB, pair 4.5 dB
 ISO Adjacent ≥ 30 dB. Non-adjacent ≥ 40 dB dB
 operating temp -40...+75 °C



CWDM OADM Single Fiber Modules

C-01000-OEW-S-1112-LG4-LCLC-L

- 1 ch
- LGX 9.5"-1/2U Module
- OADM East West
- Single Fiber
- 1470, 1490 nm
- Com port: LC/PC
- Ch port: LC/PC
- IL Add/Drop 1.5 dB
- ISO >30 dB
- Express port IL 1.5 dB
- operating temp -40...+75 °C



C-02000-OEW-S-1114-LG4-LCLC-L

- 2 ch
- LGX 9.5"-1/2U Module
- OADM East West
- Dual Fiber
- 1470, 1490, 1510, 1530 nm
- Com port: LC/PC
- Ch port: LC/PC
- IL Add/Drop 2.0 dB
- ISO >30 dB
- Express port IL 2.2 dB
- operating temp -40...+75 °C

