

# CWDM Multiplexer Dual & Single Fiber

## CWDM Multiplexer Chassis

**Chassis-19-LG4**  
19"-chassis (1 RU), supports up to 4 LG4 9.5"-1/2U Modules  
440 x 44 x 270 mm



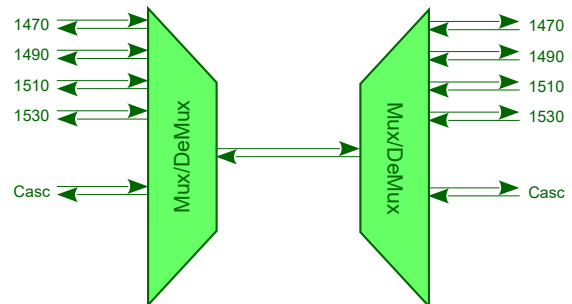
Chassis

Up to 4 Modules

## CWDM Multiplexer Dual Fiber Modules

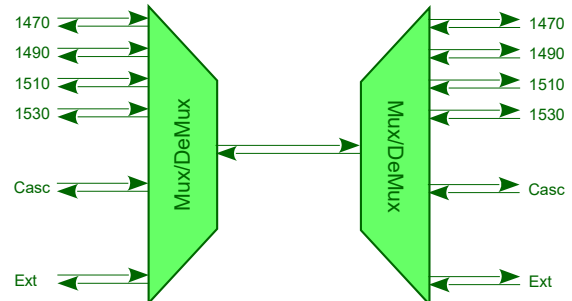
### C-04C00-MD0-D-1114-LG4-LCLC-L

- CWDM
- 4 ch + cascading
- LGX 9.5"-1/2U Module
- Mux/DeMux pair
- Dual Fiber
- 4 ch. 1470...1530 nm
- Cascading : rest (1550...1610 nm)
- Com port: LC/PC
- Ch port: LC/PC
- IL 2.0 dB, pair 3.0 dB
- ISO Adjacent  $\geq 30$  dB, Non-adjacent  $\geq 40$  dB
- operating temp -40...+75 °C



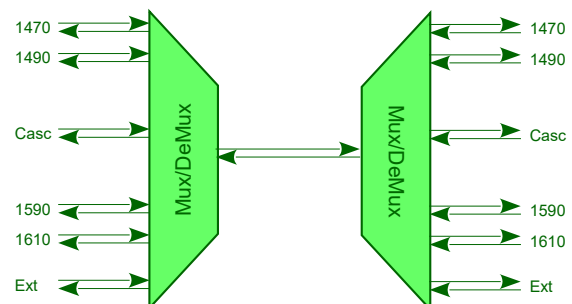
### C-04CE0-MD0-D-1114-LG4-LCLC-L

- CWDM
- 4 ch + cascading + ext
- LGX 9.5"-1/2U Module
- Mux/DeMux pair
- Dual Fiber
- 4 ch. 1470...1530 nm
- Cascading : rest (1550...1610 nm)
- Extension 1260...1458 nm
- Com port: LC/PC
- Ch port: LC/PC
- IL 2.0 dB, pair 3.0 dB
- ISO Adjacent  $\geq 30$  dB, Non-adjacent  $\geq 40$  dB
- Extension Port IL 0.8 dB, pair 1.6 dB
- ISO >15dB dB
- operating temp -40...+75 °C



### C-04CE0-MD0-D-1118-LG4-LCLC-L

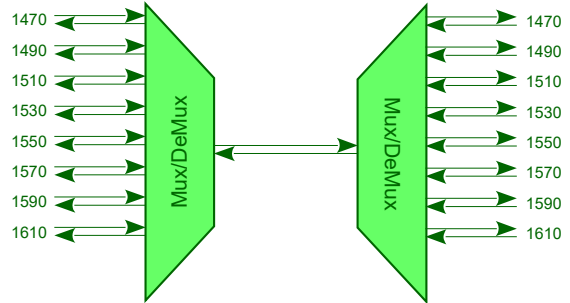
- CWDM
- 4 ch + cascading + ext
- LGX 9.5"-1/2U Module
- Mux/DeMux pair
- Dual Fiber
- 4 ch. 1470, 1490, 1590, 1610 nm
- Cascading : rest (1510...1570 nm)
- Extension 1260...1458 nm
- Com port: LC/PC
- Ch port: LC/PC
- IL 2.0 dB, pair 3.0 dB
- ISO Adjacent  $\geq 30$  dB, Non-adjacent  $\geq 40$  dB
- Extension Port IL 0.8 dB, pair 1.6 dB
- ISO >15dB dB
- operating temp -40...+75 °C



## CWDM Multiplexer Dual Fiber Modules

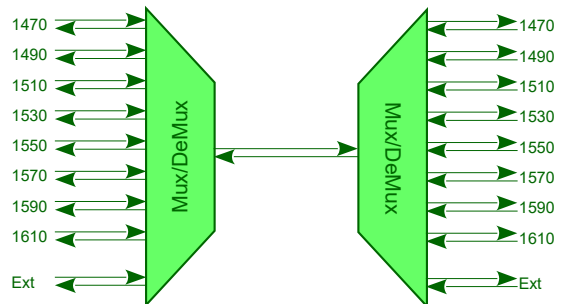
### C-08000-MD0-D-1118-LG4-LCLC-L

- CWDM
- 8 ch
- LGX 9.5"-1/2U Module
- Mux/DeMux pair
- Dual Fiber
- 8 ch. 1470...1610 nm
- Com port: LC/PC
- Ch port: LC/PC
- IL 2.5 dB, pair 3.5 dB
- ISO Adjacent  $\geq 30$  dB, Non-adjacent  $\geq 40$  dB
- operating temp -40...+75 °C



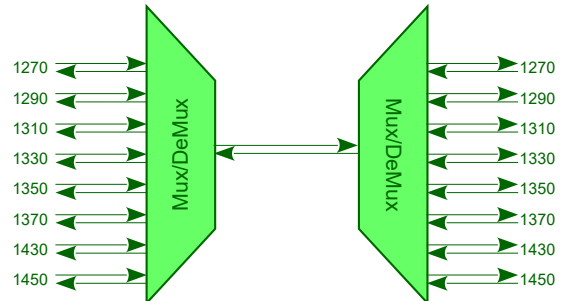
### C-080E0-MD0-D-1118-LG4-LCLC-L

- CWDM
- 8 ch + ext
- LGX 9.5"-1/2U Module
- Mux/DeMux pair
- Dual Fiber
- 8 ch. 1470...1610 nm
- Extension 1260...1458 nm
- Com port: LC/PC
- Ch port: LC/PC
- IL 3.0 dB, pair 4.0 dB
- ISO Adjacent  $\geq 30$  dB, Non-adjacent  $\geq 40$  dB
- Extension Port IL 0.8 dB, pair 1.6 dB
- ISO >15dB dB
- operating temp -40...+75 °C



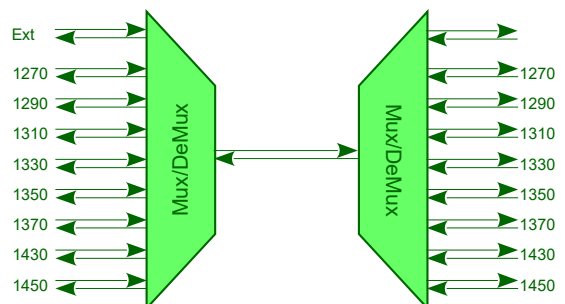
### C-08000-MD0-D-0110-LG4-LCLC-L

- CWDM
- 8 ch
- LGX 9.5"-1/2U Module
- Mux/DeMux pair
- Dual Fiber
- 8 ch. 1270...1450 nm (without 1390 and 1410 nm)
- Com port: LC/PC
- Ch port: LC/PC
- IL 2.5 dB, pair 3.5 dB
- ISO Adjacent  $\geq 30$  dB, Non-adjacent  $\geq 40$  dB
- operating temp -40...+75 °C



### C-080E0-MD0-D-0110-LG4-LCLC-L

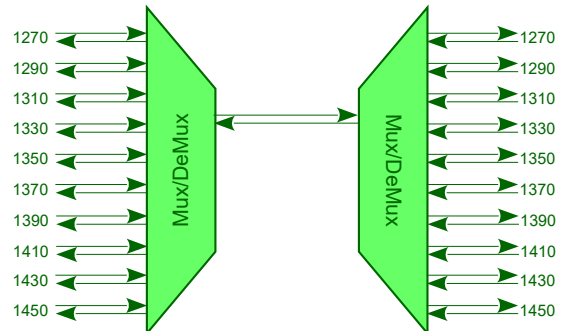
- CWDM
- 8 ch + ext
- LGX 9.5"-1/2U Module
- Mux/DeMux pair
- Dual Fiber
- 8 ch. 1270...1450 nm (without 1390 and 1410 nm)
- Extension (Filter) 1464...1620 nm
- Com port: LC/PC
- Ch port: LC/PC
- IL 2.7 dB, pair 3.7 dB
- ISO Adjacent  $\geq 30$  dB, Non-adjacent  $\geq 40$  dB
- Extension Port IL 1.3 dB, pair 2.6 dB
- ISO >30 dB
- operating temp -40...+75 °C



## CWDM Multiplexer Dual Fiber Modules

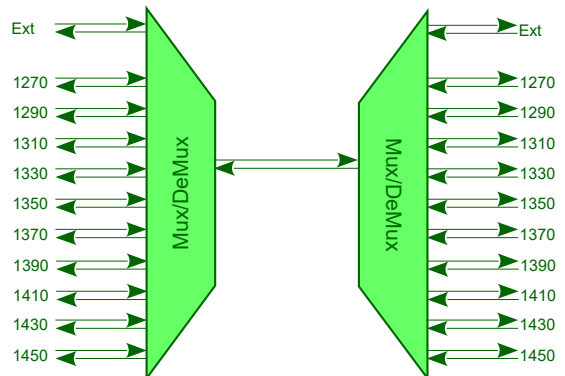
### C-10000-MD0-D-0110-LG4-LCLC-L

- CWDM
- 10 ch
- LGX 9.5"-1/2U Module
- Mux/DeMux pair
- Dual Fiber
- 10 ch. 1270...1450 nm
- Com port: LC/PC
- Ch port: LC/PC
- IL 3.0 dB, pair 4.0 dB
- ISO Adjacent  $\geq 30$  dB, Non-adjacent  $\geq 40$  dB
- operating temp -20...+75 °C



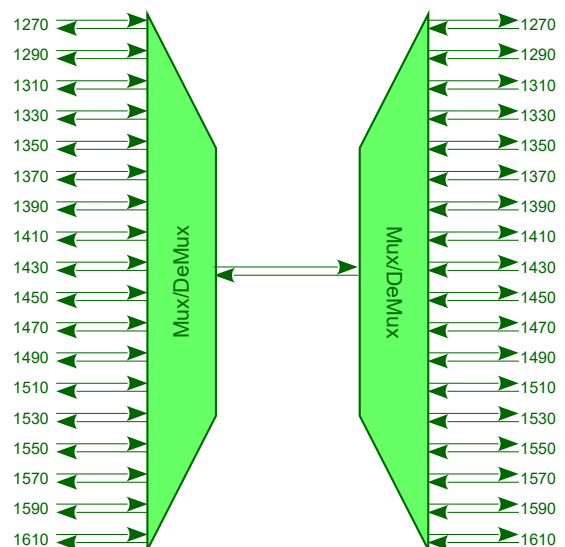
### C-100E0-MD0-D-0110-LG4-LCLC-L

- CWDM
- 10 ch + ext
- LGX 9.5"-1/2U Module
- Mux/DeMux pair
- Dual Fiber
- 10 ch. 1270...1450 nm
- Extension (Filter) 1464...1620 nm
- Com port: LC/PC
- Ch port: LC/PC
- IL 3.2 dB, pair 4.2 dB
- ISO Adjacent  $\geq 30$  dB, Non-adjacent  $\geq 40$  dB
- Extension Port IL 1.3 dB, pair 2.6 dB
- ISO  $> 30$  dB
- operating temp -40...+75 °C



### C-18000-MD0-D-0118-190-LCLC-L

- 18 ch
- 19" Module
- Mux/DeMux pair
- Dual Fiber
- 18 ch. 1270...1610 nm
- Com port: LC/PC
- Ch port: LC/PC
- IL 3.5 dB, pair 4.5 dB
- ISO Adjacent  $\geq 30$  dB, Non-adjacent  $\geq 40$  dB
- operating temp -40...+75 °C

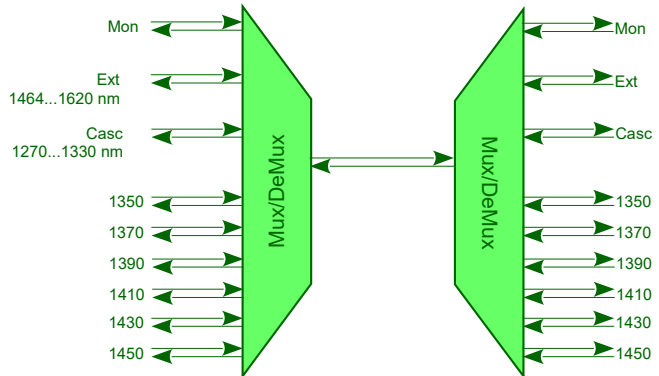


## CWDM Multiplexer Dual Fiber Modules

### C-06CE1-MD0-D-0510-LG4-LCLC-L

#### CWDM

- 6 ch + casc + ext + mon
- LGX 9.5"-1/2U Module
- Mux/DeMux pair
- Dual Fiber
- 6 ch. 1350...1450
- Cascading : rest (1270...1330 nm with filter 1260...1360 nm)
- Extension (Filter) 1464...1620 nm
- Monitoring (2 % on both com ports)
- Com port: LC/PC
- Ch port: LC/PC
- IL 3.0 dB, pair 4.0 dB
- ISO Adjacent  $\geq 30$  dB, Non-adjacent  $\geq 40$  dB
- Cascading Port IL 3.0 dB, pair 6.0 dB
- Extension Port IL 1.3 dB, pair 2.6 dB
- ISO  $> 30$  dB
- operating temp  $-20...+75$  °C

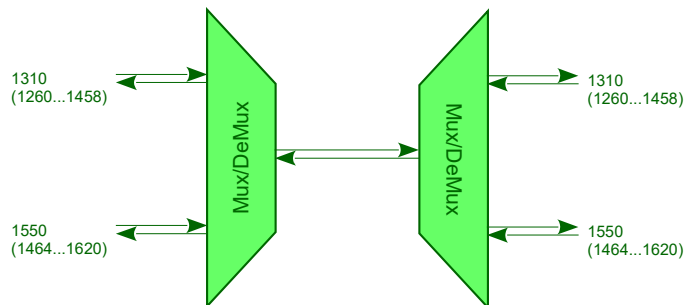


## CWDM 1310/1550 Dual Fiber Modules

### C-02000-MD0-D-31WB-LG4-LCLC-L

#### CWDM

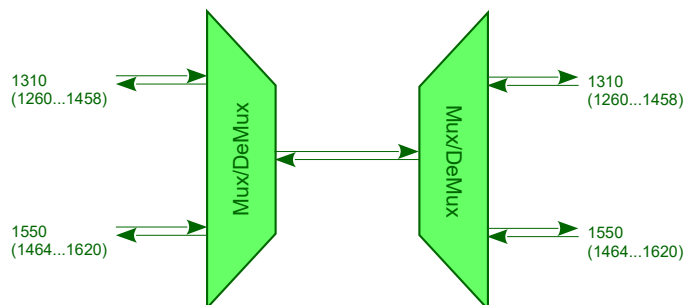
- 2 ch Red/Blue Filter
- LGX 9.5"-1/2U Module
- Mux/DeMux pair
- Dual Fiber
- ch1 1310 nm (1260...1458 nm)
- ch2 1550 nm (1464...1620 nm)
- Com port: LC/PC
- Ch port: LC/PC
- IL ch1 1310 nm (1260...1458 nm) 1.0 dB, pair 2.0 dB
- ISO  $> 30$  dB
- IL ch2 1550 nm (1464...1620 nm) 0.6 dB, pair 1.2 dB
- ISO  $> 15$  dB
- operating temp  $-20...+75$  °C



### C-02000-MD0-D-55WB-LG4-LCLC-L

#### CWDM

- 2 ch Red/Blue Filter
- LGX 9.5"-1/2U Module
- Mux/DeMux pair
- Dual Fiber
- ch1 1310 nm (1260...1458 nm)
- ch2 1550 nm (1464...1620 nm)
- Com port: LC/PC
- Ch port: LC/PC
- IL ch1 1310 nm (1260...1458 nm) 0.6 dB, pair 1.2 dB
- ISO  $> 15$  dB
- IL ch2 1550 nm (1464...1620 nm) 1.0 dB, pair 2.0 dB
- ISO  $> 30$  dB
- operating temp  $-20...+75$  °C



## CWDM 1310/1550 Dual Fiber Modules

### C-01000-OE0-D-31WB-LG4-LCLC-L

CWDM Red/Blue Filter

- 1 ch
- LGX 9.5"-1/2U Module
- OADM East
- Dual Fiber
- 1310 nm (1260...1458 nm)
- Com port: LC/PC
- Ch port: LC/PC

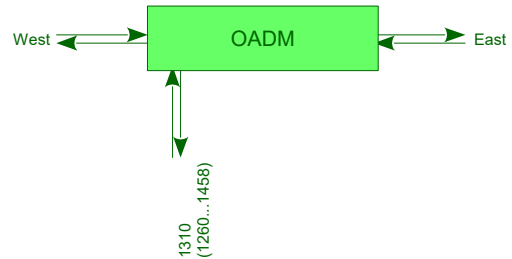
IL Add/Drop (1260...1458 nm) 1.0 dB

ISO >30 dB

IL Express port (1464...1620 nm) 0.6 dB

ISO >15 dB

operating temp -20...+75 °C



### C-01000-OEW-D-31WB-LG4-LCLC-L

CWDM Red/Blue Filter

- 1 ch
- LGX 9.5"-1/2U Module
- OADM East West
- Dual Fiber
- 1310 nm (1260...1458 nm)
- Com port: LC/PC
- Ch port: LC/PC

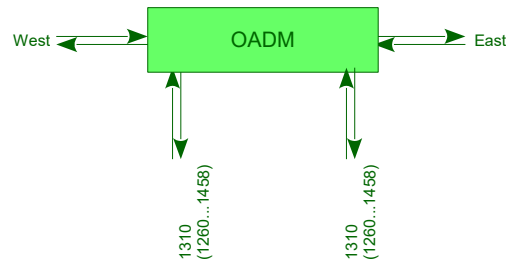
IL Add/Drop (1260...1458 nm) 1.0 dB

ISO >30 dB

IL Express port (1464...1620 nm) 0.9 dB

ISO >15 dB

operating temp -20...+75 °C



### C-01000-OE0-D-55WB-LG4-LCLC-L

CWDM Red/Blue Filter

- 1 ch
- LGX 9.5"-1/2U Module
- OADM East West
- Dual Fiber
- 1310 nm (1260...1458 nm)
- Com port: LC/PC
- Ch port: LC/PC

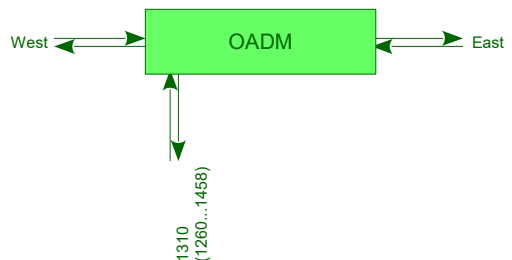
IL Add/Drop (1260...1458 nm) 0.6 dB

ISO >15 dB

IL Express port (1464...1620 nm) 1.7 dB

ISO >30 dB

operating temp -20...+75 °C



### C-01000-OEW-D-55WB-LG4-LCLC-L

CWDM Red/Blue Filter

- 1 ch
- LGX 9.5"-1/2U Module
- OADM East West
- Dual Fiber
- 1310 nm (1260...1458 nm)
- Com port: LC/PC
- Ch port: LC/PC

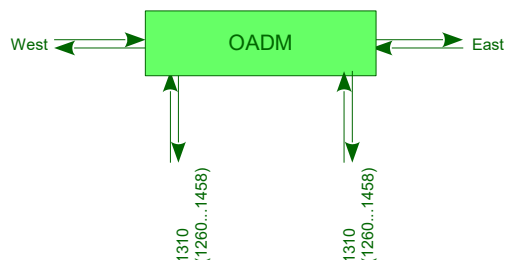
IL Add/Drop (1260...1458 nm) 0.6 dB

ISO >30 dB

IL Express port (1464...1620 nm) 1.7 dB

ISO >15 dB

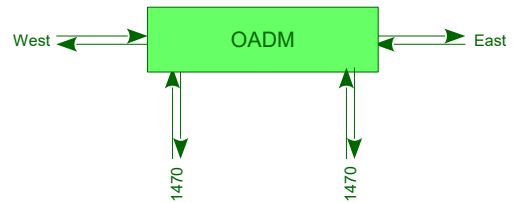
operating temp -20...+75 °C



## CWDM OADM Dual Fiber Modules

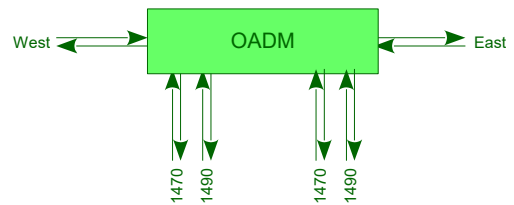
### C-01000-OEW-D-1111-LG4-LCLC-L

- 1 ch
- LGX 9.5"-1/2U Module
- OADM East West
- Dual Fiber
- 1470 nm
- Com port: LC/PC
- Ch port: LC/PC
- IL Add/Drop 1.2 dB
- ISO >30 dB
- Express port IL 0.8 dB
- operating temp -40...+75 °C



### C-02000-OEW-D-1112-LG4-LCLC-L

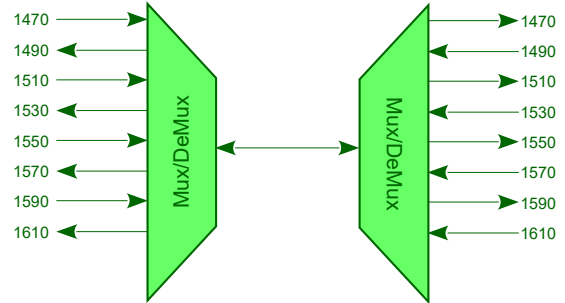
- 2 ch
- LGX 9.5"-1/2U Module
- OADM East West
- Dual Fiber
- 1470, 1490 nm
- Com port: LC/PC
- Ch port: LC/PC
- IL Add/Drop 1.5 dB
- ISO >30 dB
- Express port IL 1.5 dB
- operating temp -40...+75 °C



## CWDM Multiplexer Single Fiber Modules

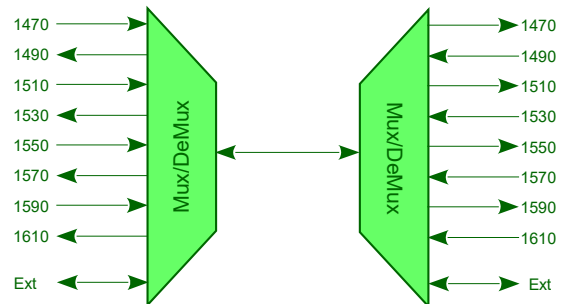
### C-08000-MD0-S-1118-LG4-LCLC-L

- 8 ch
- LGX 9.5"-1/2U Module
- Mux/DeMux pair
- Single Fiber
- 8 ch. 1470...1610 nm
- Com port: LC/PC
- Ch port: LC/PC
- IL 2.5 dB, pair 3.5 dB
- ISO Adjacent  $\geq 30$ dB. Non-adjacent  $\geq 40$ dB dB
- operating temp -40...+75 °C



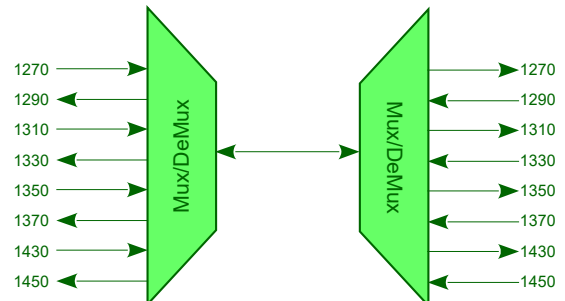
### C-080E0-MD0-S-1118-LG4-LCLC-L

- 8 ch + ext
- LGX 9.5"-1/2U Module
- Mux/DeMux pair
- Single Fiber
- 8 ch. 1470...1610 nm
- Extension 1260...1458 nm
- Com port: LC/PC
- Ch port: LC/PC
- IL 3.0 dB, pair 3.5 dB
- ISO Adjacent  $\geq 30$ dB. Non-adjacent  $\geq 40$ dB dB
- Extension Port IL 0.8 dB, pair 1.6 dB
- ISO >15 dB
- operating temp -40...+75 °C



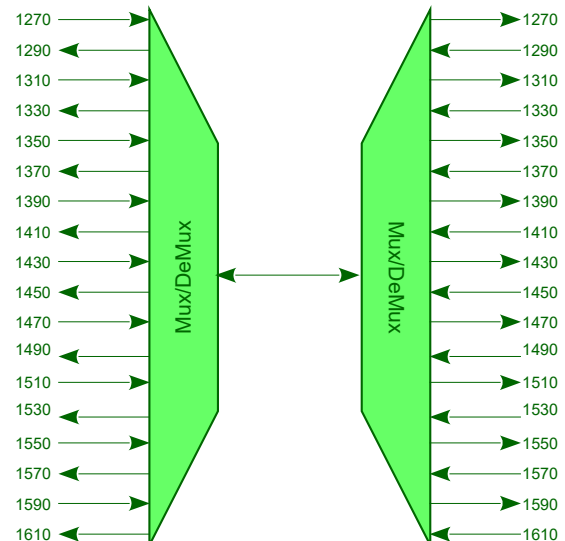
### C-08000-MD0-S-0110-LG4-LCLC-L

- 8 ch
- LGX 9.5"-1/2U Module
- Mux/DeMux pair
- Single Fiber
- 8 ch. 1270...1450 nm (without 1390 and 1410 nm)
- Com port: LC/PC
- Ch port: LC/PC
- IL 2.5 dB, pair 3.5 dB
- ISO Adjacent  $\geq 30$ dB. Non-adjacent  $\geq 40$ dB dB
- operating temp -40...+75 °C



### C-18000-MD0-S-0118-LG4-LCLC-L

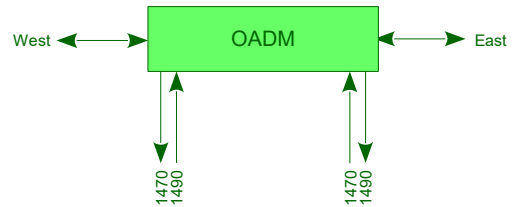
- 18 ch
- LGX 9.5"-1/2U Module
- Mux/DeMux pair
- Single Fiber
- 18 ch. 1270...1610 nm
- Com port: LC/PC
- Ch port: LC/PC
- IL 3.5 dB, pair 4.5 dB
- ISO Adjacent  $\geq 30$ dB. Non-adjacent  $\geq 40$ dB dB
- operating temp -40...+75 °C



## CWDM OADM Single Fiber Modules

### C-01000-OEW-S-1112-LG4-LCLC-L

- 1 ch
- LGX 9.5"-1/2U Module
- OADM East West
- Single Fiber
- 1470, 1490 nm
- Com port: LC/PC
- Ch port: LC/PC
- IL Add/Drop 1.5 dB
- ISO >30 dB
- Express port IL 1.5 dB
- operating temp -40...+75 °C



### C-02000-OEW-S-1114-LG4-LCLC-L

- 2 ch
- LGX 9.5"-1/2U Module
- OADM East West
- Dual Fiber
- 1470, 1490, 1510, 1530 nm
- Com port: LC/PC
- Ch port: LC/PC
- IL Add/Drop 2.0 dB
- ISO >30 dB
- Express port IL 2.2 dB
- operating temp -40...+75 °C

